

Key Features



- High-End, Stylish and Real All-in-One POS System
- Performance and Energy-Efficient Intel® Processors
Intel® Core™ Haswell Processors i3, i5, i7 (Fanless)
Intel® Celeron™ J1900 Quad-Core Processor (Fanless)
- 15" and 17" LED LCD Display, Projective Capacitive Touch
- High-Speed and Jam-Free 3" Thermal Receipt Printer Integrated
- Multiple I/O Ports and Integrated Peripheral Options
- Modular Design for Easy Maintenance

Specifications

General Specifications		Model: Qs/Q3/Q4/Q5, J19
System		
CPU	Q3	Intel® Core™ i3-4100M Processor (3M Cache, 2.50 GHz) / Fanless
	Q4	Intel® Core™ i5-4210M Processor (3M Cache, up to 3.20 GHz) / Fanless
	Q5	Intel® Core™ i7-4600M Processor (4M Cache, up to 3.60 GHz) / Fanless
	J19	Intel® Celeron™ J1900 (2.0 GHz) Quad-Core Processor / Fanless
		Intel® HM87 (Co-Lay QM87)
Chipset	Qs	Intel® Bay Trail
	J19	Intel® Bay Trail
Storage	Qs	SATA 3 (6Gb/s) 2.5 inch SSD 64GB, Support AHCI
	J19	SATA 2 (3Gb/s) 2.5 inch SSD 64GB, Support AHCI
Memory	Qs	2GB Standard (Max. 16GB) Type: DDR3L with 1066 or 1333 MT/s / Socket 1x SODIMM (Max. 2 Optional)
	J19	2GB Standard (Max. 8GB) Type: DDR3L with 1066 or 1333 MT/s / Socket 2 x SODIMM
	Qs	RAID 0, 1 support
RAID	J19	-
Graphics Controller	Integrated Intel GMA HD	
Audio	2 x 0.8W Stereo Speaker	
LCD Display		
Size / Type	15" TFT LED Backlight	
Resolution	1024 x 768 resolution	
Luminance	250 cd/m ² (typ.)	
Touch Screen		
Type	Projective Capacitive Touch	
Controller Interface	USB Interface	
I/O Interface		
Display Port	1 x VGA	
USB Port	Qs	8 (Rear 6 = USB 3.0 x 4 Ports, USB 2.0 x 2 Ports, Side 2 = USB 2.0 x 2 Ports)
	J19	8 (Rear 6 = USB 3.0 x 1 Port, USB 2.0 x 5 Ports, Side 2 = USB 2.0 x 2 Ports)
PS / 2 Port	1	
Serial Port	3 (COM 1 ~ 3 with 5V/12V power output on 9pins)	
Ethernet Port	2 x RJ-45	
Audio	1 x Line-out, 1 x Mic-in	
Power DC-IN	1 (3pins connector)	
Power Requirement		
Adaptor Input	Adaptor 24V, 5A	

OS Support	Windows 7, Windows 8.1, POS Ready 7
Mechanical & Environmental	
Operating Temperature	0°C ~ 50°C at 10% ~ 80% humidity
Storage Temperature	-20°C ~ 80°C at 10% ~ 80% humidity
Dimensions (W x H x D)	364 x 382 x 285 (mm), 14.3 x 15 x 11.2 (inch)
Net Weight	9,400g
Packing Dimension (W x H x D)	460 x 470 x 470 (mm), 18.1 x 18.5 x 18.5 (inch)
Packing Weight	12,500g
Qualification	CE, FCC, KC
Optional Configuration	
Touch Screen	5-wired Resistive Touch Screen
Integrated Printer	3" Jam-Free Thermal Receipt Printer 200mm/sec max. Auto cutter (Interface: Serial, USB) 2.5 inch SSD 128GB 2.5 inch HDD 500GB
Storage	2.5 inch HDD 1TB
	2nd 2.5 inch SSD 64GB
	2nd 2.5 inch SSD 128GB
	2nd 2.5 inch HDD 500GB
	2nd 2.5 inch HDD 1TB
I/O Expansion	1 x Parallel Port (D-SUB 25pins)
	1 x Expansion Slot (mini PCIe for wireless LAN)
	1 x DVR Card (PCI 4 Channel)
Customer Display (CDP)	1 x Cash Drawer Port (RJ11 6pins)
	VFD (20 columns x 2 lines)
Dual Display	9.7" 2nd LCD (1024 x 768 resolution)
	12.1" 2nd LCD (1024 x 768 resolution)
	15" 2nd LCD (1024 x 768 resolution)
Magnetic Stripe Reader	MSR: Comply with ISO 7811, Support 1 & 2 & 3 track
Smart Card Reader	SCR: EMV level 1, 2
Dallas	Dallas I-button reader
Blower Fan	1 (40mm x 40mm, Normal type)
Battery	Smart Battery: 351P 2050mAh
	Smart Battery: 451P 2050mAh
Color	Custom Colors Available

*Specifications may change without prior notice.

Options



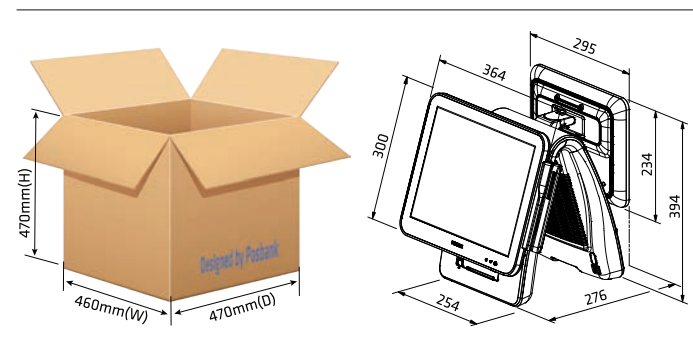
Printer Module

Multi-reader (MSR, SCR)

Customer Display

2nd Display

Dimension View



What Makes Us Different?

At Posbank, we believe that we should do more than providing the best products. It is about helping you bring the best-in-class solutions to your customers. We are committed to improve our solutions and process continuously through ongoing support of our five focus areas.

Design. We deliver POS systems with impressive design that enhance customer's brand image.

Quality. We strive to meet stringent standards fulfilled by our in-house R&D and manufacturing facility.

Trend-leading. We build trend-leading POS systems that help customers to be more successful in their business.

Continuity. We offer continued support for customers during the product life cycle.

Proximity. We operate global partner network and warehouses near your business.

POSBANK®

Headquarters

#805-808, 108, Gasan digital 2-ro,
Geumcheon-gu, Seoul, 08506, South Korea
Tel : +82-2-2626-9118
Fax : +82-2-2626-9119
e-mail : sales@posbank.com
www.posbank.com

US

California : 1230 East 223rd Street,
Suite #204 Carson, CA 90745
New York : 75 Fairchild Ave. Plainview
New York 11803
Tel : +1-888-998-1767 ext. 103-104
Fax : +1-310-513-1362
e-mail : sales@posbankusa.com
www.posbankusa.com

Europe

Via Piersanti Mattarella, 32, 30030,
Gardigiano, Venezia, Italy
Tel : +39-041-583-0594
Fax : +39-041-583-0595
e-mail : sales@posbank.eu
www.posbank.eu

Copyright © 2015 Posbank Co., Ltd.

Posbank and the Posbank logo are trademarks of Posbank in the United States and other countries. All trademarks are the property of their respective owners. Intel, Celeron, Core are registered trademarks of Intel Corporation in the U.S. and other countries. Microsoft, Windows 7, Windows 8.1 and POS Ready 7 are registered trademarks of Microsoft Corporation in the U.S. and other countries. Posbank shall not be liable for technical or editorial errors or omission contained herein. The information in this publication are informational purposes only and may be altered or amended by Posbank. All statements regarding Posbank's direction and intent are subject to change or withdraw without notice. Specifications may change without prior notice.

2015 3Q EN(1509-002)

High Performance Meets Stylish Look

IMPREX® PRIME



Entirely New POS System

The IMPRES® PRIME is a whole new generation of high-end all-in-one POS system, featuring innovative design, stylish look, robust performance, maximum reliability, superior expandability and advanced manageability to meet today's challenges in the retail and hospitality environments.

Highlights

- Stylish, innovative, real all-in-one design to enhance store image.
- Robust performance to run latest business applications.
- Maximum reliability ensuring years of dependable operation.
- Optional peripherals and multiple I/O ports to meet changing business requirements.
- Advanced manageability to lower cost and minimize downtime.



Innovative Stylish All-in-One Design

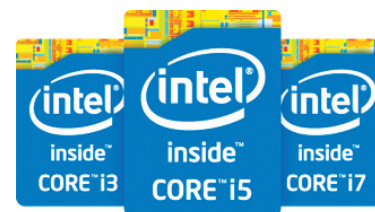
The layout of a store can be crucial, and the POS system is at the heart of it. How the POS system looks is as important as what it can do for both business owners and customers. With innovative all-in-one system, the IMPRES® PRIME does just that. There is no need to decide what to have around it. And its stylish look can enhance store image and make your business more appealing.



15" and 17" LED LCD Touch Display and a Thermal Receipt Printer Integrated

Robust Performance

Performance-optimized technology makes the IMPRES® PRIME more valuable to customers. The IMPRES® PRIME is built with high-end computing in mind, to provide business owners with the processing power needed to improve business efficiency and speed up customer services.



Performance/Energy-Efficient Intel® Processors
 - Intel® Core™ Haswell Processors i3, i5, i7
 - Intel® Celeron™ J1900 Quad-Core Processor

Maximum Reliability

POS system should be capable of operating in harsh environments. (i.e., unexpected power-outages, vibrations, dust, shocks, spill, etc.) Reliability is a key factor that determines the life expectancy of a product. With the components optimized for longer product life, the IMPRES® PRIME is the perfect choice even in demanding retail and hospitality segments.

Superior Expandability

With integrated POS peripherals and multiple I/O ports, the IMPRES® PRIME embodies a flexible design that can be customized to fit customer's business environment.

Multiple I/O Ports



Model : J19



Model : Qs

Advanced Manageability

Its innovative tool-less design allows quick access to components, enabling fast and easy service and upgrades. Built with modular technology, there is no need to send the whole system for maintenance to be serviced if a breakdown occurs.

